

# Area Drains

## FD-320-Y

### Area Drain with 8" Fixed Top



Model Number	Weight (lbs.)	Grate Size	Outlet Size	Grate	List Price
FD-322, 3, 4-Y	19	8"	2, 3, 4"	ductile iron	\$508.00
FD-322, 3, 4-Y-1	20	8"	2, 3, 4"	nickel bronze	1,048.00

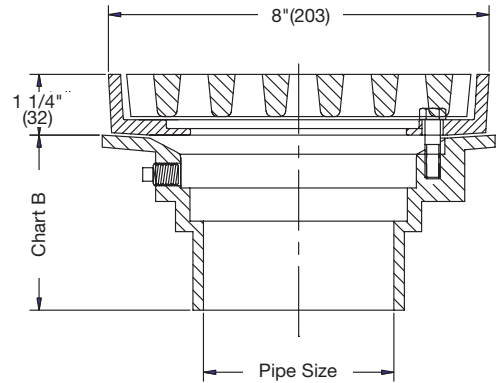


Chart B					
Pipe Size	No Hub	Push On	Female Thread	Inside Caulk	PVC/ABS
2"	3 5/8"	3 5/8"	4 1/4"	4 1/4"	2 3/4"
3"	3 5/8"	4"	4 1/4"	4 1/4"	3 5/8"
4"	3 5/8"	4"	4 1/4"	4 1/4"	3 7/8"
6"	3 1/2"	-	-	-	-

### Options for FD-320-Y Series

Suffix	Description	List Price
-5SS	Type 304 Stainless Steel Sediment Bucket	\$343.50
-28	All Type 304 Stainless Steel	978.00

## FD-320-Y-SET

### Area Drain with 8" Fixed Top, Grate Supported by Bucket

Model Number	Weight (lbs.)	Grate Size	Outlet Size	Grate	List Price
FD-322, 3, 4-Y-SET	19	8"	2, 3, 4"	ductile iron	\$598.50
FD-322, 3, 4-Y-SET-1	19	8"	2, 3, 4"	nickel bronze	1,139.00

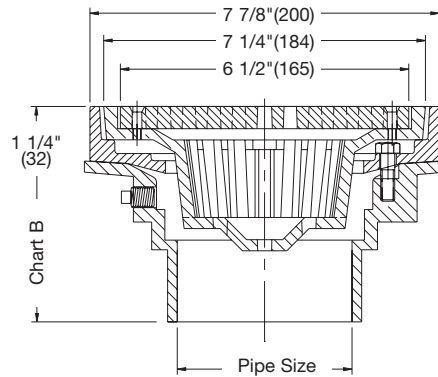


Chart B					
Pipe Size	No Hub	Push On	Female Thread	Inside Caulk	PVC/ABS
2"	3 5/8"	3 5/8"	4 1/4"	4 1/4"	2 3/4"
3"	3 5/8"	4"	4 1/4"	4 1/4"	3 5/8"
4"	3 5/8"	4"	4 1/4"	4 1/4"	3 7/8"
6"	3 1/2"	-	-	-	-

Note: Funnels are ordered separately. See page 63 for details.

### Options for FD-300, 310, 320, 330 Series:

Suffix	Description	List Price	Suffix	Description	List Price
None	No Hub	No Add	-34	Closure Plug	\$120.50
P	Push-On	No Add	-60	PVC Body w/Socket Outlet (2,3,4" only)	No Add
T	Threaded Outlet	\$80.00	-61	ABS Body w/Socket Outlet (2,3,4" only)	No Add
X	Inside Caulk Outlet	No Add	-F4-50	4" Round Cast Iron Funnel	179.00
None	6" Outlet - No Hub Only	120.00	-F4-1	4" Round Nickel Bronze Funnel	428.00
-5	Sediment Bucket	138.50	-F6-1	6" Round Nickel Bronze Funnel	625.50
-6	Vandal Proof	147.00	-G-50	4x9" Oval Cast Iron Funnel	423.00
-7	Trap Primer Tapping	No Add	-G-1	4x9" Oval Nickel Bronze Funnel	872.00
-8	Ball Float Backwater Valve (2,3,4" Only)	377.50	-S0	Side Outlet (2, 3, 4" only)	218.00
-13	All Galvanized	425.50			
-21	Secondary Strainer	67.50			



Consult factory for all applications outside of listed parameters. Prices do not include applicable taxes.